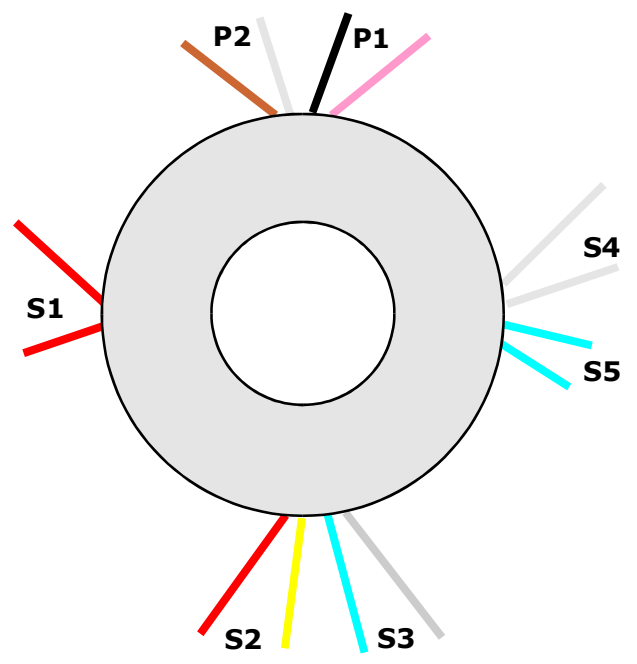
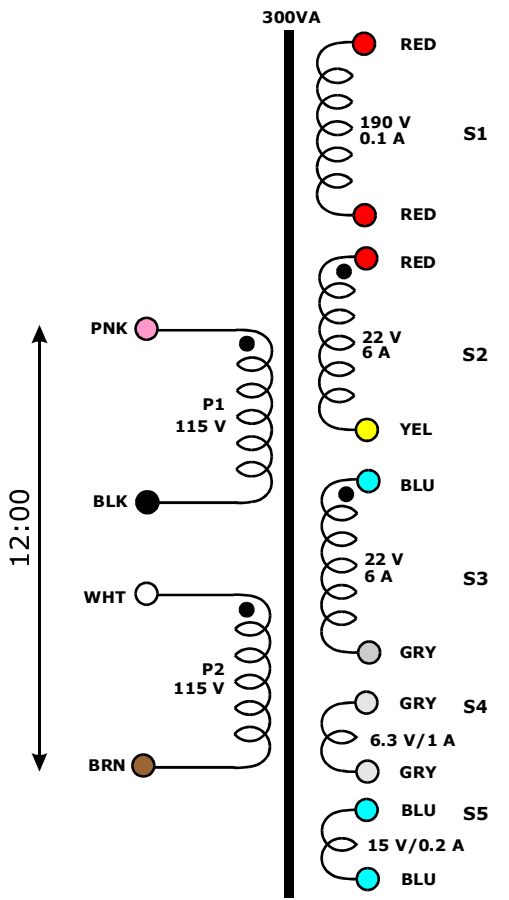


TRAFICO-VANDERVEEN TS-2022-OTL-MAINS



Leadouts are 30 cm stranded wire
S2,3 leadouts are sleeved magnet wire

Dia = 125 mm
Height = 60 mm
Weight = 3 kg

Supplied with mounting gear

Date: 2023-01-18 Drawn: VDV

